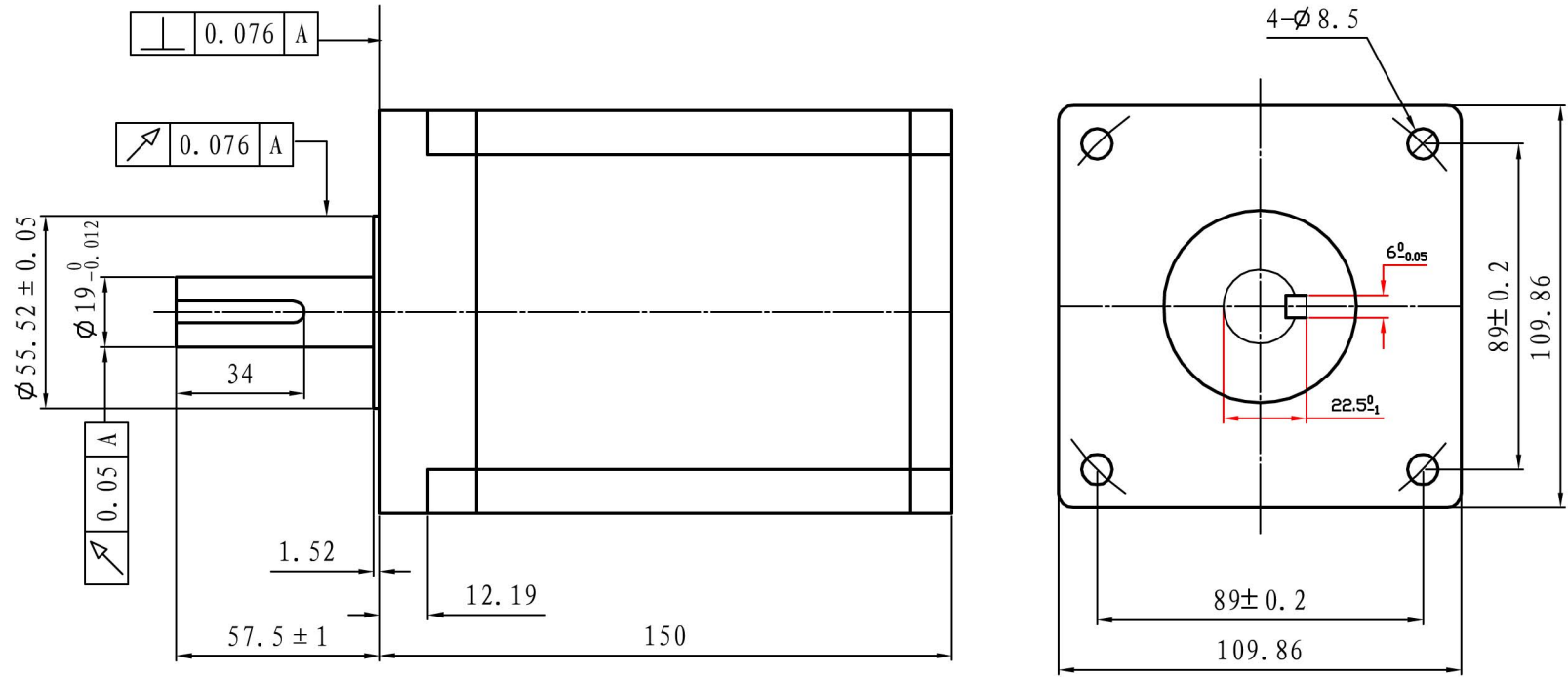
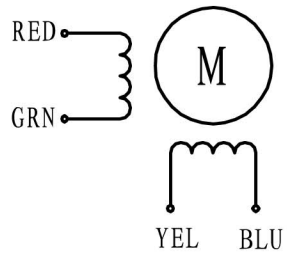


Dimension:



Wiring Diagram:



红绿黄蓝
UL1332 18# 长310mm

Specifications:

| Phase | Step Angle | Current | Resistance | Inductance | Holding Torque | Rotor Inertia | Weight |
|-------|------------|---------|------------|------------|----------------|------------------|--------|
| | Deg/Step | A | ohms | mH | N.m | gcm ² | Kg |
| 2 | 1.8 | 6.5 | 0.8 | 15 | 20 | 10900 | 8.4 |

| | | | | | | | |
|--|----------------|-------------|-----|------------------------|------|-----------------|--|
| A | 键槽的深度由23改为22.5 | | | DESIGN | DATE | P/N. | |
| REV | ECN NO | DESCRIPTION | DRN | APP'D | DATE | TITLE | |
| UNLESS OTHERWISE SPECIFIED TOLERANCES: | | | | CHECK | | SPECIFICATIONS | |
| DECIMALS: .x ±0.5 | | | | APPD | | USED ON 110HS20 | |
| ANGULAR: ±0°30' | | | | SCALE | | DWG NO. | |
| .xxx ±0.1 | | | | THIRD ANGLE PROJECTION | | REV A | |
| UNIT: mm | | | | SHEET | | OF | |
| DO NOT SCALE DRAWING | | | | | | 深圳市雷赛智能控制股份有限公司 | |